



LS2D4K



Series HDLS Stainless Steel Non Plug-in: Top Roller Plunger; 1NC 1NO Single-Pole, Double-Throw, Snap-Action, Double-Break; 0.75 in - 14NPT conduit

Actual product appearance may vary.

Features

- Corrosion-resistant stainless steel non-plug-in body, head, and rotary shaft
- Stainless steel levers
- Fluorocarbon seals
- -12 °C to 121 °C [10 °F to 250 °F]
- UL Listed, file #E37138
- CSA Certified, file #LR57326
- NEMA 1, 3, 3R, 4, 4X, 6, 6P, and 13

Potential Applications

- Shipboards and dockside
- Power generating plants
- Caustic waste handling
- Mining
- Food and beverage
- corrosive valve locations
- Electronic assembly

Description

Sensing and Control offers the world's most advanced line of MICRO SWITCH™ heavy-duty limit switches. These switches include boss-and-socket head design for secure head-to-body retention, unique all-metal drive train for consistent operating characteristics even at high temperature (lasts longer without the need for frequent adjustment than drive trains with plastic parts,) self-lifting pressure plate terminals save wiring time, easily identified grounding terminal (inside) for compliance with OSHA and other regulatory agency standards, one piece flat gasket (seals better than gaskets that go around curves and corners, does not contact terminal pins to reduce chances of fluid migration,) front mounting and interchangeability of single- and double-pole switches, plug-in and non plug-in with one another and with other switch brands, tracking interchangeability of actuator levers for single- and double-pole switches, plug-in and non plug-in, twin shaft seals for an extra measure of protection, inner FC O-ring seal, outer Buna-N seal (all FC available,) FC shaft and diaphragm seals on side rotary switches, rugged corrosion-resistant zinc head and body are phosphate treated and epoxy finished, exclusive teller tab assures proper torque (when it cannot be moved the lever is tight enough to prevent slippage) and domestic and international conduit taps.

Product Specifications	
Availability	Global
Operating Force (O.F.)	17,79 N max. [4 lb max.]
Pretravel (P.T.)	1,78 mm max. [0.070 in max.]
Overtravel (O.T.)	0.190 in min.
Differential Travel (D.T.)	0,38 mm max. [0.015 in max.]
Product Type	MICRO SWITCH™ Stainless Steel Heavy-Duty Limit Switches
Actuator	Top Roller Plunger
Circuitry	1NC 1NO Single-Pole Double-Throw, Snap-Action, Double-Break
Ampere Rating	10 A (Thermal)
Supply Voltage	600 Vac and 250 Vdc max.
Housing Material	Stainless Steel
Termination Type	0.75 in - 14NPT conduit
Housing Type	SS Non Plug-in
Series Name	HDLS - Stainless Steel
Sealing	NEMA 1, 3, 3R, 4, 4X, 6, 6P, 13
Approvals	UL listed, CSA Certified, CE Certified, CCC Certified
CSA File #	LR57326/Master Contract 152457
UL File #	E37138
Operating Temperature Range	-12 °C to 121 °C [10 °F to 250 °F]
Comment	Head can be set at 90 degree increments for cam or slide actuation
Agency Approvals and Standards	EN60947-1, EN60947-5-1
UNSPSC Code	302119
UNSPSC Commodity	302119 Switches and controls and relays
Sealed	Industrial
Operating Position (O.P.)	55,9 mm [2.20 in]

MICRO SWITCH
a Honeywell Division

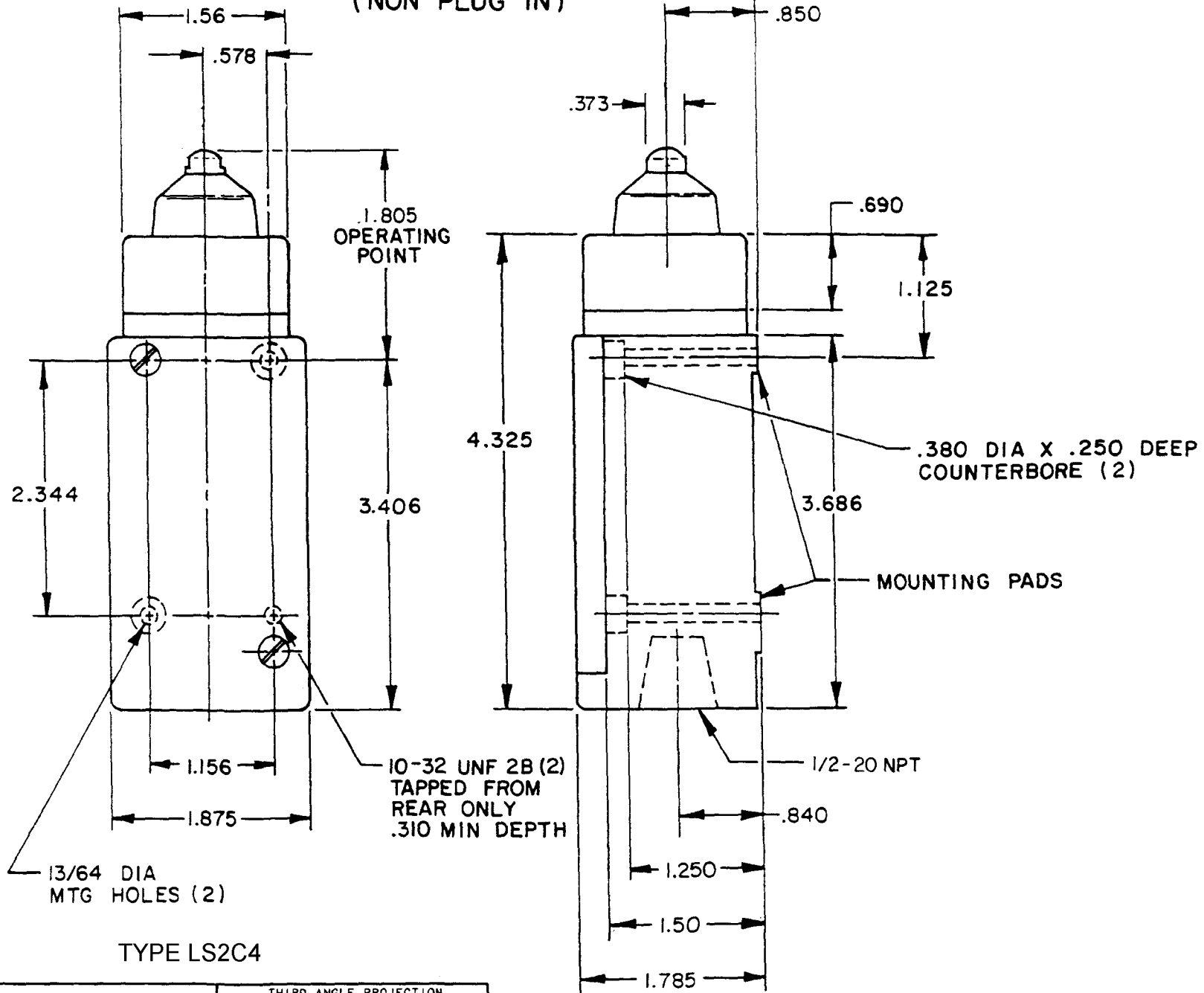
SWITCH - ENCLOSED

CATALOG LISTING
LS2 SERIES

CHART I

FED. MFG. CODE 91929

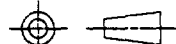
PLUNGER TYPE TOP (PLAIN)
SINGLE POLE AND DOUBLE POLE
(NON PLUG IN)



TYPE LS2C4

THIS DRAWING COVERS A PROPRIETARY ITEM AND IS THE PROPERTY OF MICRO SWITCH, A DIVISION OF HONEYWELL. THIS DRAWING IS NOT TO BE COPIED OR USED WITHOUT THE APPROVAL OF MICRO SWITCH

THIRD ANGLE PROJECTION



CHARACTERISTICS	
OPERATING FORCE	----- 4 LBS MAX
DIFFERENTIAL FORCE	----- 1.805 ± .040
RELEASE FORCE	----- 7 LBS MAX
PRETRAVEL	----- .070 MAX
DIFFERENTIAL TRAVEL	----- S. P. - .015 MAX D. P. - .020 MAX
OVERTRAVEL	----- .190 MIN

ELECTRICAL DATA	
CONTACT ARRANGEMENT	

SCALE	NONE
DO NOT SCALE PRINT	
UNLESS OTHERWISE SPECIFIED TOLERANCES ARE	
ONE PLACE	(.0) ± .030
TWO PLACE	(.00) ± .015
THREE PLACE	(.000) ± .005
ANGLES	±
WEIGHT	

NOTE
1 OPERATING POINT GIVEN IN RELATION TO TOP MOUNTING HOLE

RASTER DRAWN KEU 13 JUN 94
 CHECK KEU 13 JUN 94
 ISSUE 7
 M
 PAGE 4 OF 4
 CATALOG LISTING LS2 SERIES CHART I
 RELEASE NO. PR-20972 REPLACES

REVISIONS

A	CO-82000	JAK	13 NOV 95
B	CO93789	DLT	29 OCT 98
C	204630	CSL	2 JAN 02
D	206344	MDM	5 SEP 02
E	0002358	CSL	2 DEC 03